



 REECHCRAFT™
POWERPOLE®

www.REECHCRAFT.com

Man & Material Lift System

Move Fast. Lift More. Make It Easy.

The New Standard for POWER, SPEED, SAFETY, and VERSATILITY.

SIDING

ONE 200 LB MAN CAN LIFT
800 LBS OF SIDING AND TOOLS
UP TO 50'.

(Shown with SpeedRail
attachment)



WINDOWS

A 2-MAN CREW CAN LIFT 600
LBS OF WINDOWS. PLATFORM
CAN BE EXPANDED TO 4' FOR
BAY AND BOW WINDOWS.

(Shown with SpeedRail
attachment)



ROOFING

HAUL ROOFING MATERIALS TO
THE EDGE OF A ROOF ON A 4'
PLATFORM.

(Shown with PowerLatch, SpeedRail,
and Super Standoff attachments)



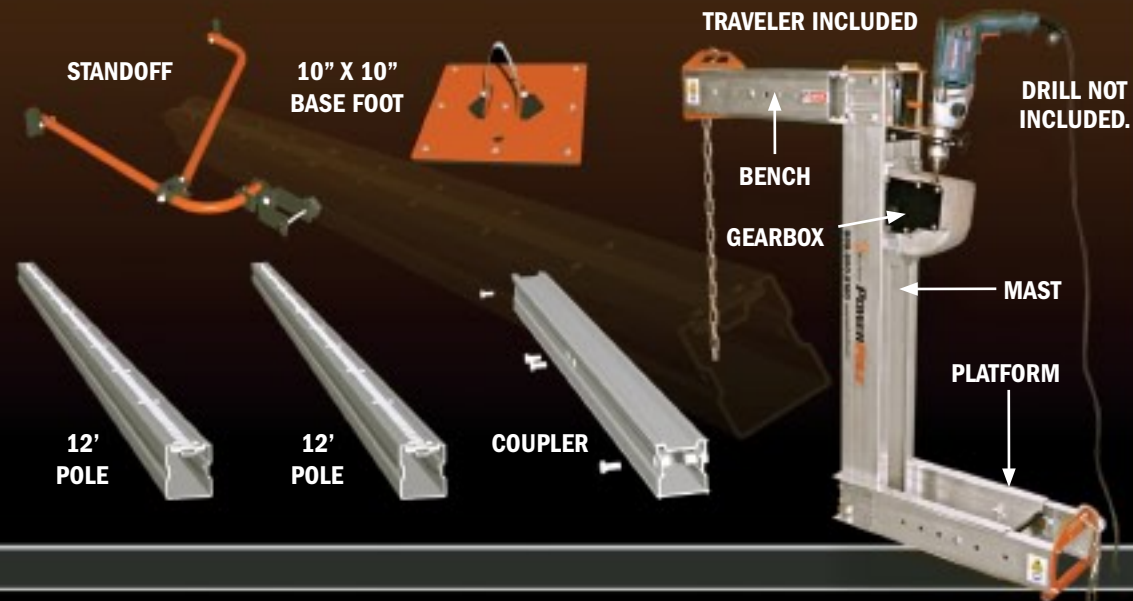
Call Toll Free: 888-600-6160 • www.REECHCRAFT.com

Dollar for dollar, pound for pound, no other piece of equipment can match the power, speed, safety, and versatility of the PowerPole. Just imagine cruising up or down 50' with a 1000 lb load! Each Standard System combines a duty rating of 500 lbs and a travel rate of up to 15 ft/min. Add extra Poles, Couplers, and Standoff Braces to go higher than 24' or a Super Standoff Brace to walk on to the roof. We recommend a minimum of a 7 amp 850 rpm drill and 12 gauge extension cord to power the system (sold separately).

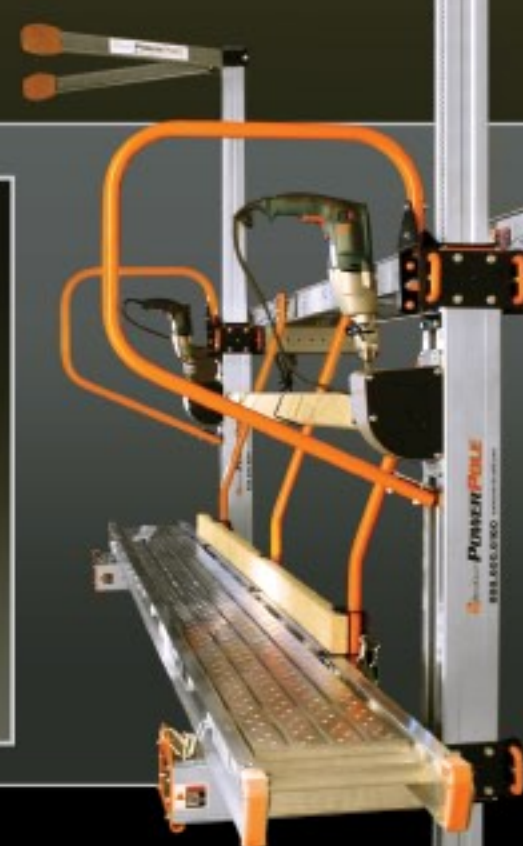
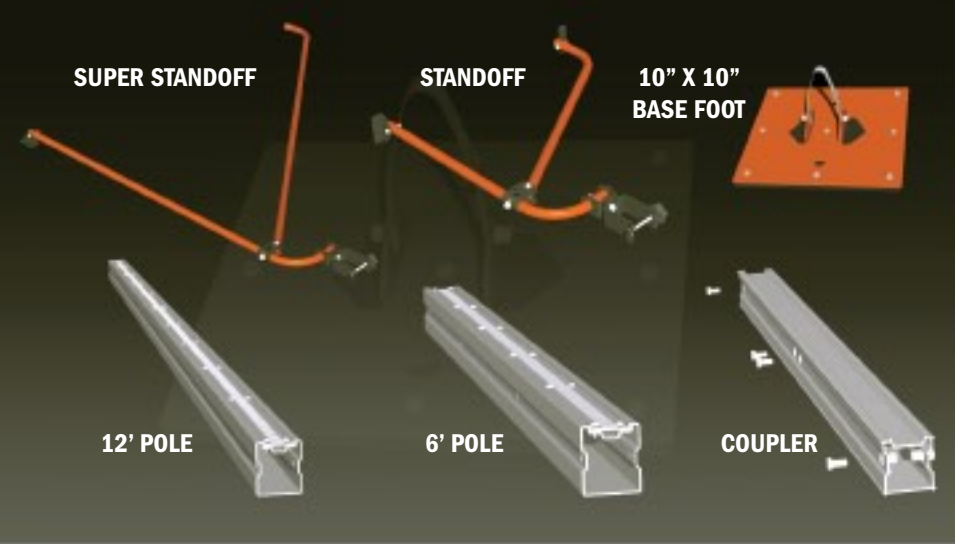


STANDARD SYSTEM

[24' KIT]



[+] POWERPOLE ADD-ONS



ReechCraft POWERPORT™

MORE SPEED



Make it easy and efficient to work on 1-2 story jobs. Attach the PowerPort to any Standard System, wheel it into place, then adjust the feet to hold the system firmly against the wall in any terrain. Setup time is nearly eliminated and no ladder is needed. The stable system contacts the wall and ground similar to a ladder and includes a tie-off chain at the top.

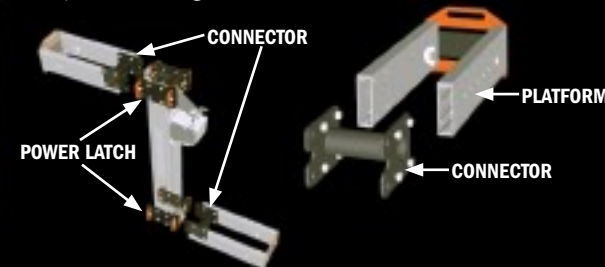


ReechCraft POWERLATCH™

MORE VERSATILITY



Make it fast and easy to reconfigure your PowerPole for any job. Accommodate offsets and obstacles or expand your platform up to 4' for large windows. Platforms remove for compact transport and storage.



ReechCraft SPEEDRAIL™

MORE SAFETY



Quickly add fall prevention for your crew. Our universal MidRail posts fasten securely to any common scaffold plank while the EndRail rapidly attaches to the Traveler. Fasten 2x4's to the MidRail posts for a complete system and OSHA compliance. We recommend four MidRail posts per 24' span.





FROM THE FIELD

"The PowerPole is great. I have six of them currently, and my company has been using them consistently for every job for ten months straight. We used Pump Jacks in the past and really noticed how much time and energy is saved using the PowerPole. Time normally spent getting up and down is now spent on doing the job, allowing us to get a lot more product up on the wall. The PowerPole is a great product, and fits well into every job we do."

Matt Merrifield | Lakeside Exteriors, MO

"I've had the PowerPoles for about two years and they are a phenomenal product. They are safe, easy to use, and give me the ability to work on higher jobs with full OSHA compliance. With the PowerPoles, we can easily go over twenty feet with fall protection without the extra labor and dangerous situations. The potential for injuries is greatly reduced, and a lot of energy is saved. A three and a half day house now only takes three days. The PowerPole System helps my business both by increasing production and speeding up the work.

Matt Lacina | Lacina Siding and Windows, MN

"I own the PowerPole System and I can't say enough about them. I love them and I'm using them where I would never have set up pump jacks before. The PowerPole System is easy to move, simple to set up and can haul a lot of material up the roofline. I've now started using them for everything! It's the "movability" of the PowerPoles with the PowerPorts that make them so useful and fast. I can't say enough about the PowerPole System. They make me a faster company all around and I'm looking forward to getting more in the future.

Chris Quinn | Quinn's Exteriors, MN



888-600-6160

P.O. Box 2426 • Fargo, ND 58108

www.REECHCRAFT.com

